

HiVi. America
HiVi Acoustics, Inc.
11630 Goldring Road, Arcadia, CA 91006, USA
Tel: +1 626 930 0606 Fax: +1 626 930 0609

HiVi. China
Zhuhai HiVi Technology Co., Ltd.
No. 1, South Dongcheng Road, Liangang Industrial Zone, Jinwan
District Zhuhai City, Guangdong Province, 519045, P. R. China
Tel: 0756-6268035 Fax: 0756-6268006, 6268052

※

Due to the reasons in the change of design or others, product information contained here may not be in conformity with product itself. We reserve the right of no prior notice before change.



**H-700 Wireless Microphone
Product Manual**

Foreword

Thank you for purchasing the wireless microphone produced by our company. This product is a professional grade product suitable for professional venues or professionals. The wireless part operates in the UHF frequency band and the electro-acoustic part has a precise structure; it is a relatively high-end audio device.

For you to better understand and use this device, please read this manual carefully before use, and keep it properly for future reference by you or others.

The accessories of this product are carefully selected and tested by our company. Please do not use other accessories at will, otherwise it may affect the use effect or cause damage!

This product is mainly composed of a receiver, transmitter, and microphone components. The transmitted signal has our company's ID code. Some models of our company can be compatible with each other. Please understand clearly when purchasing if there is a compatibility requirement. Products from other brands cannot be used interchangeably with our company's products!

This manual has been carefully proofread. If there are any printing errors or misunderstandings in the content, our company reserves the right to explain; If there are technical changes to our company's products in the future, we will not notify separately.

The appearance and color of the product are subject to the actual object; The internal pictures are for reference only.

Safety and Warnings

This product's receiver operates using a power adapter, and there may be high voltage present inside the casing during operation, please do not disassemble the cover yourself!

Before using, please check if the local voltage matches the voltage of the power adapter that comes with this device!

If the device is not working properly, please disconnect the power, remove the batteries from the transmitter part, and send it back to the factory for repair or entrust it to a qualified person for repair.

This product is a wireless product, and the receiver should be kept away from electronic products with strong electromagnetic radiation (such as high-definition boxes, karaoke machines, walkie-talkies, Wi-Fi routers, etc.) during use, otherwise it may interfere with the operation of the receiver!

The transmitter part uses 2 AA batteries or rechargeable batteries of the same specification. Inferior batteries may damage the device, please choose qualified batteries.

This product is a precision device, non-professionals please do not disassemble, repair this product! or attempt to modify this product!

This product is suitable for indoor use, the receiver should not work in high temperature and humid environment, and the transmitter and microphone should avoid rain during use.

Note: The handheld microphone referred to in this manual includes the transmitter and microphone parts, while other types of microphones may separate the transmitter and microphone parts for description due to structural reasons, please be aware.

10 . Troubleshooting

Troubleshooting		
Fault Phenomenon	Equipment Status	Solution
No sound	Receiver power-on state Transmitter power-on state	Execute infrared pairing Check audio connection, check whether audio equipment is powered on
	Receiver cannot be powered on	Confirm whether the power adapter is correctly inserted into the receiver's DC socket and AC power socket Confirm whether the AC power socket is normal
	Transmitter can't be turned on	Replace the battery, check if the battery polarity is correct
	Receiver display is normal	Turn up the volume knob of the receiver
Distortion or sudden noise occurs	The MUTE of the receiver occasionally lights up	Check if there are any interference sources nearby (such as HD box, walkie-talkie, etc.) Check if the frequency on the other side is the same or too close
Distance closely	Receiver's power display is less than one.	Replace the transmitter battery.
	The RF signal bar of the receiver is low and unstable.	Check if the receiver has an antenna installed, if the antenna is not securely installed or if the antenna is laid flat.
Sound is distorted	Receiver display is normal	Appropriately lower the volume of the receiver.

11. Packing lists

Packing lists	
Receiver	1 pc
Wireless Microphone	2 pc
Audio transmission line	1 pc
Power adapter	1 pc
Receiving antenna	2 pcs
Instruction manual	1 pc
Cabinet accessories	1 set

9. Technical Parameters

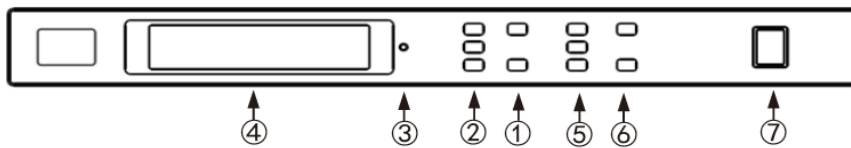
	Model	H-700
SYSTEM	Use distance	$\geq 80\text{m}$ (The actual distance is related to the surrounding environment)
	Frequency range	640-690MHz
	RF generation method	Phase-locked loop frequency synthesizer
	RF bandwidth	50MHz
	RF frequency accuracy	+ /-5ppm < 10kHz
	Number of channels	100 channels on each side, Left CH001-100/ RightCH101-200
	Operating temperature	From minus 10 degrees Celsius to 50 degrees Celsius
	Audio frequency response	50Hz-16KHz (the circuit part)
	System signal-to-noise ratio	> 98dB (A-weighting, at maximum output.)
	Total harmonic distortion of the system	< 0.8% 1KHz(300mV output)
RECEIVER	Receiving mode	Superheterodyne double mixing mode
	Diversity reception sensitivity	True diversity reception (dual channel 2 antennas 2 high amplifiers) - 95dBm (20dB SINAD)
	Harmonic distortion display mode	< 0.8% 1KHz(300mV Output) LCD
	Power supply Output mode	12V 500- 1000mA (depending on the model) Balanced XLR/mixed output.
	No. channel	2
Transmitter	dynamic range	> 90dB
	nominal frequency deviation	25KHz
	harmonics	-45dBc
	output power	30mW
	display mode	LCD
	current consumption	< 150mA/ 3V
	power supply method	AA1.5V \times 2
	usage time	About 6(related to battery quality.)
Pickup head	Conversion mode Pickup mode	Capacitor, dynamic type, depending on the model Cardioid, super cardioid
	sensitivity	< - 55dB \pm 3dB(0dB=1V/ Par @ 1KHz)
	maximum sound pressure level	> 110dB SPL

1. Product Features:

1. Industry-leading circuit design and manufacturing, ensuring product reliability and stability;
2. PLL dual-channel phase-locked loop design, frequency deviation can be automatically corrected;
3. Unique intelligent ID recognition technology, more effective against interference;
4. Digital analog hybrid transmission, without the disadvantage of audio transmission delay;
5. Microprocessor control, effectively avoiding reception dead zones;
6. Built-in 200 channels, frequency point distribution is easily set;
7. Simple infrared frequency matching design, frequency adjustment is easily achieved;
8. LCD display, device working status is clear at a glance;
9. Equipped with balanced and unbalanced audio output, convenient for connecting various audio equipment;
10. The receiver displays the parameters of the transmitter, facilitating monitoring of the microphone's working condition;
11. Reasonable design of the transmitter and microphone structure, beautiful, sturdy, and durable;
12. Using a true diversity circuit, a dual-channel design shared by 2 antennas and 2 high-power amplifiers, the reliability in complex environments is even more outstanding.

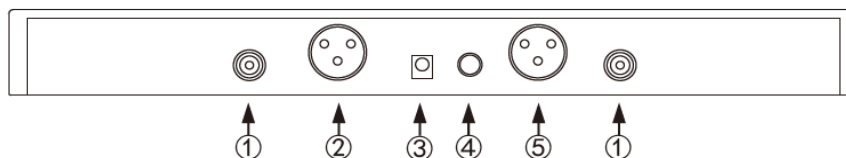
二、

Receiver Panel



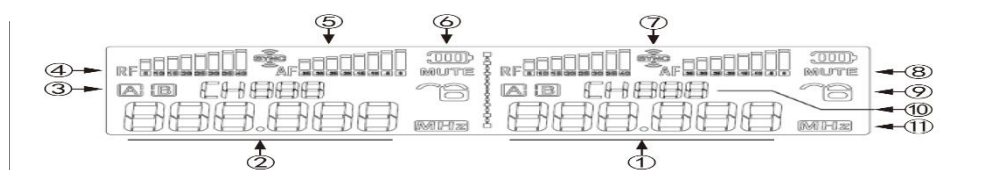
- | | |
|--|---|
| ① Left channel volume up and down button | ⑤ Right channel operation button |
| ② Left channel operation button | ⑥ Right channel volume up and down button |
| ③ Infrared frequency window | ⑦ Power switch (or button) |
| ④ LCD display window | |

Backside



- | | |
|--|---|
| ① Antenna interface (shared antenna for left and right channels) | ④ Left and right mixed 6.35mm unbalanced audio output interface |
| ② Right channel XLR balanced audio output interface | ⑤ Left channel XLR balanced audio output interface |
| ③ DC power input interface | |

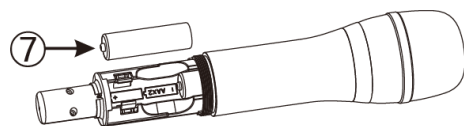
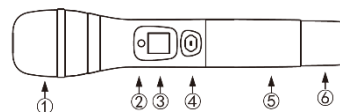
3. Receiver Screen



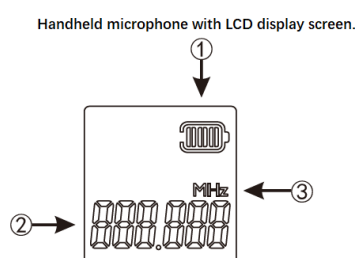
- ① The corresponding English characters are displayed when the right channel frequency or module/function is adjusted.
- ② The corresponding English characters are displayed when the left channel frequency or module/function is adjusted.
- ③ When a true diversity circuit is used, the switch indicator of the two high-frequency systems: When the receiver is working, it will switch according to the reception effect of the front and rear antennas. The " / " will flash and switch, indicating the high-frequency system currently in use.
- ④ Indication of the strength of the received wireless signal
- ⑤ Indication of the size of the received audio signal
- ⑥ Indication of the battery level of the corresponding transmitter (handheld microphone)
- ⑦ Pairing symbol: Flashing indicates that the receiver is transmitting a pairing signal
- ⑧ Mute indicator (including no signal received, transmitter turned off, etc.)
- ⑨ Key lock
- ⑩ Channel: This device prioritizes channel adjustment. We have set different frequency points for each channel. When multiple devices are used at the same time (such as Karaoke applications), according to the placement distance of the receiver, the left and right channels can be adjusted in order from CH 001-CH 100, CH 101-CH 200.
- ⑪ Radio frequency unit.

四、H-700 Handheld Microphone

- ① Net cover, with protective sponge inside
- ② Infrared frequency window
- ③ LCD screen with backlight, the backlight turns off about 2 seconds after power on, short press the power button while the device is on, the backlight will light up for about 1 second
- ④ Power button, short press - power on; long press for about 2 seconds - power off
- ⑤ Lower tube body, it can be opened to replace the battery
- ⑥ Transmitter antenna part, please do not hold with your hand, otherwise it will affect the transmission effect
- ⑦ Battery replacement: 2 AA batteries can work continuously for about 6 hours. When the battery indicator is low (or), please turn off the transmitter before replacing the battery. When replacing the battery, please pay attention to the positive and negative poles in the battery slot.



- Ensure the microphone is turned off!
- Unscrew the lower tube body;
- Replace the battery, pay attention to the polarity of the battery.

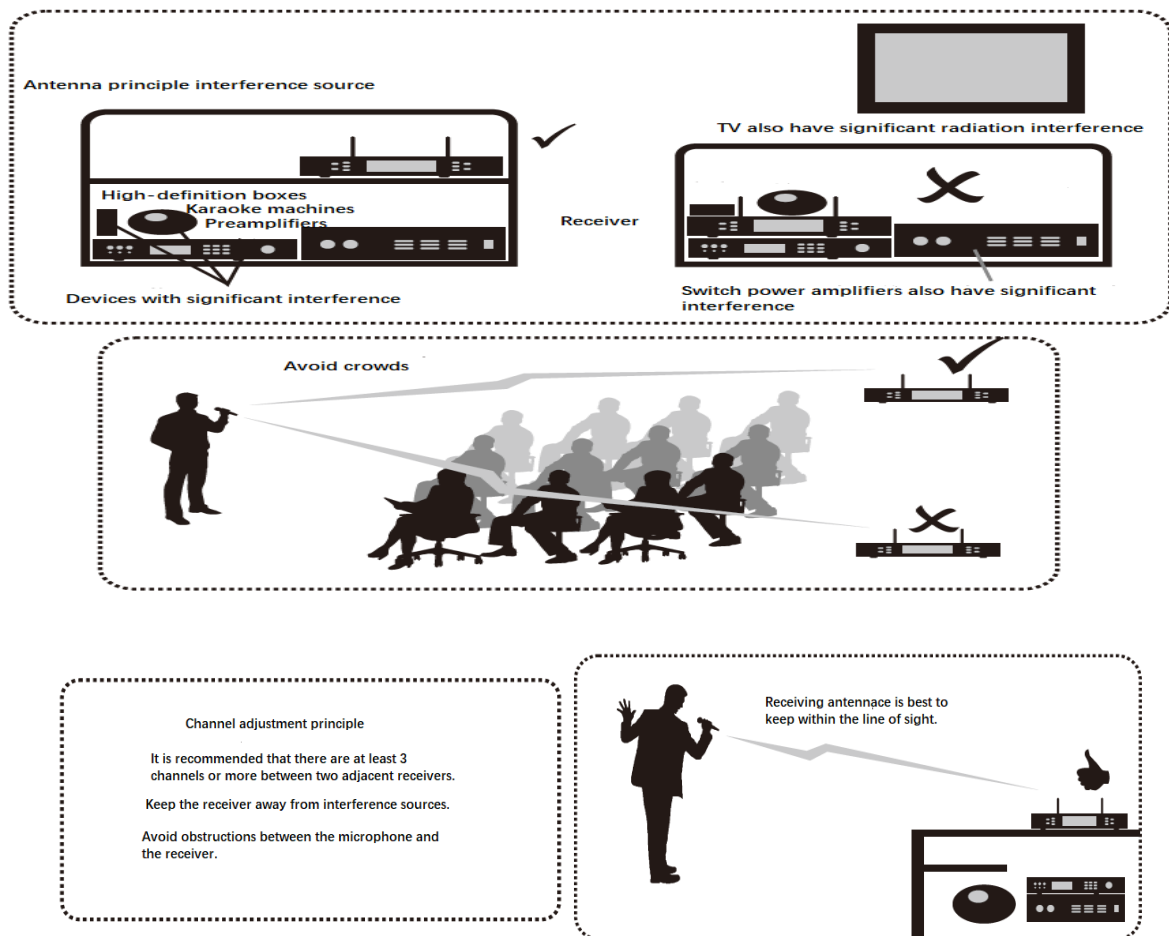


- ① Transmitter battery level indicator, the battery symbol flashing indicates the battery is about to run out.
- ② Working frequency, after frequency matching, it is the same as the working frequency of the corresponding receiver.
- ③ Frequency unit.

8. Device Adjustment

Advanced Application (For use with many devices in the same venue)

1. When many devices are used simultaneously in a venue, the principle for adjusting the channels is: according to the distance between the devices (or K rooms), the left and right channels should start from the low or high channels.
2. The channels of adjacent devices (or K rooms) need to be spaced three or more channels apart to avoid interference from the wireless signals of the microphones.
3. Other audio and video equipment may also cause wireless interference. When placing the receiver, please keep it away from these devices, generally maintaining a distance of more than 0.5 meters.
4. The surrounding environment may also cause wireless interference. Please check whether the wireless signal of the receiver is interfered with when adjusting the channels. If there is interference, please adjust to a channel without interference.
5. When the venue is large, the distance between the receiver and the microphone is far, or there are many people on site, please place the receiver outside the cabinet, or use an extended antenna, or use an antenna amplifier and other devices.
6. When using multiple stacked machines, the adjustment of frequency or channel is more complicated. Please seek more experienced personnel to adjust. Generally, the number of stacked machines should not exceed 4 sets (8 handheld microphones).

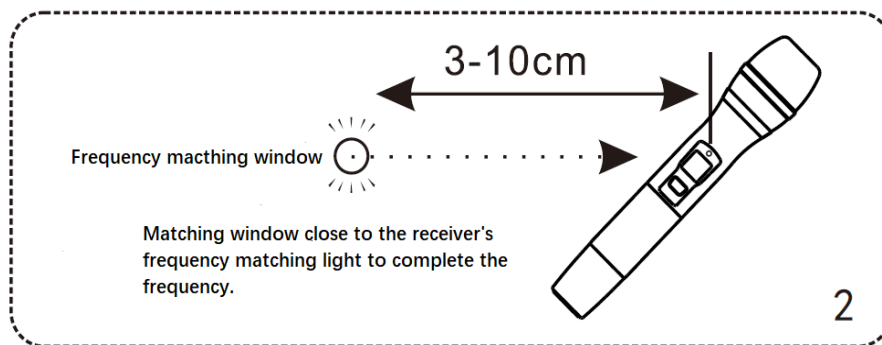
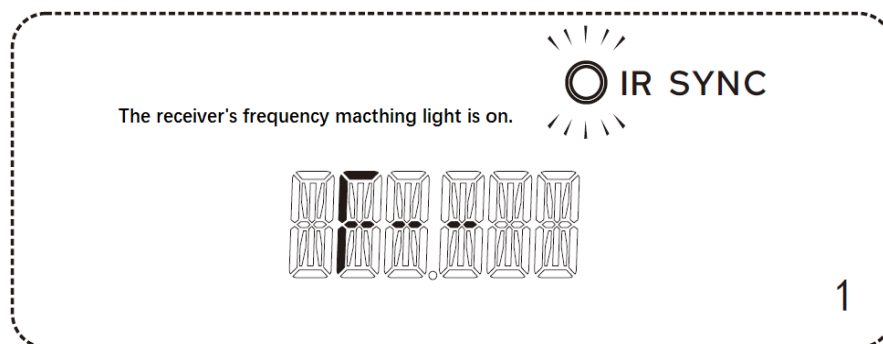


7. Frequency response

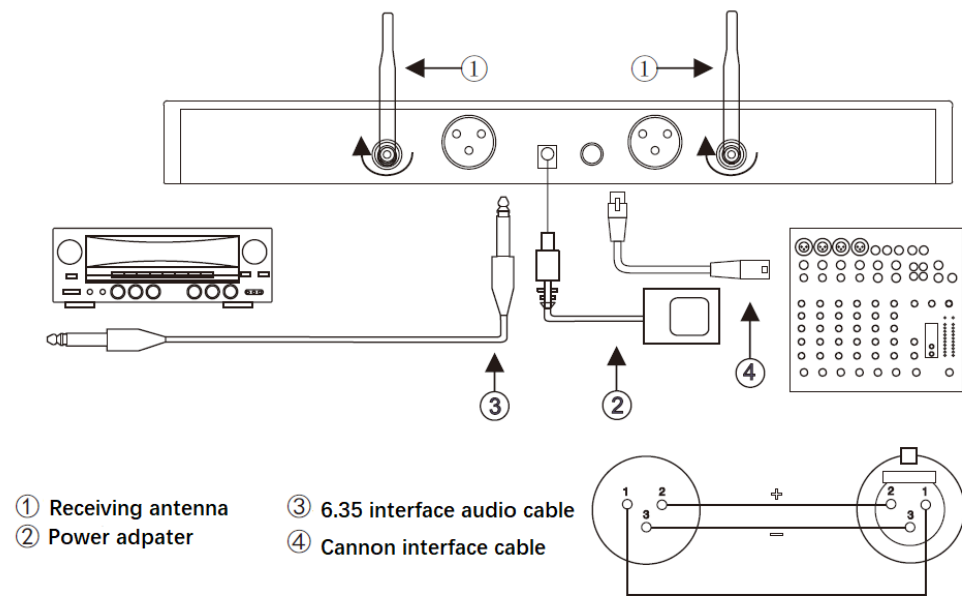
After the receiver has completed the frequency or module setting, it is necessary to complete the frequency matching of the microphone for the system to work properly:

In the state where the button is not locked, short press the " /SYNC" button, the frequency matching light of the receiver's infrared frequency matching window lights up, indicating that the receiver has entered the frequency matching state. The frequency matching state lasts for about 5 seconds, and the receiver is in mute state; the frequency display shows "F--", and the " " symbol lights up.

At this time, bring the frequency matching part of the transmitter close to the frequency matching light of the receiver, about 3-10cm away, and keep it until the light goes out. The screen of the transmitter will light up, and the "RF" signal bar of the receiver will show full scale, indicating that the frequency matching has been completed. Check the frequency points of the receiver and transmitter, they should be the same value. If the values are different, you need to re-match the frequency.



5. User Guide



Receiver Connection:

Insert the receiving antenna that comes with this unit into the antenna seat, and turn the antenna plug to the right to tighten it, positioning the antenna. Rotate the antenna to make it vertical to the ground.

Insert the output plug of the power adapter that comes with this unit into the power socket of this unit.

Connect the microphone input hole of this unit and the amplifier with an unbalanced 6.35mm audio cable. (This step is optional)

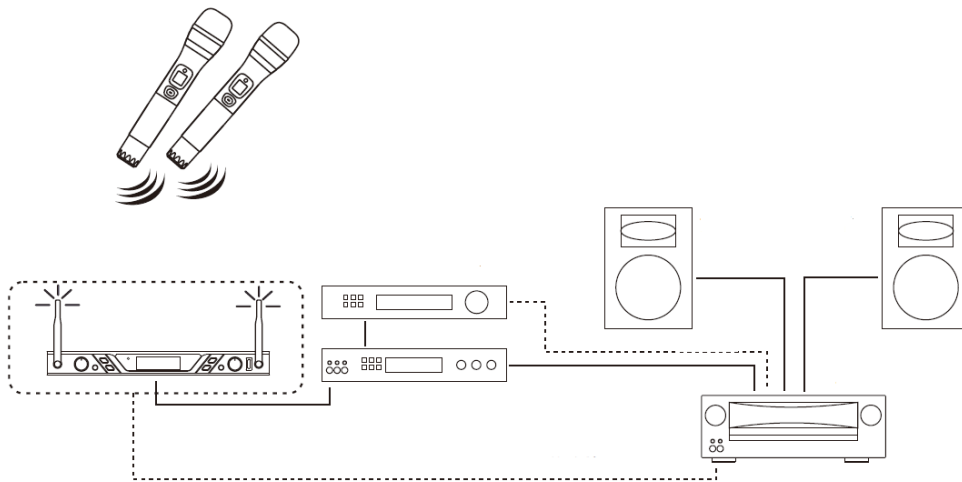
Connect the left and right XLR balanced outputs of this unit with the XLR balanced inputs of other audio devices using balanced cables, the signal polarity is shown in the figure below (This step is optional).

Turning on the receiver power:

Press the receiver power button ON, the receiver power is turned on, the display shows "UHF", and the frequency is displayed after one second, the receiver enters the ready state.

Press the receiver power button OFF, the receiver displays "OFF", and the receiver power is turned off after one second.

If the receiver is not used for a long time, please unplug the power adapter from the AC power outlet.



1. Install the antenna on the receiver, connect the equipment as shown in the figure above, and do not turn on the power of the audio equipment yet;
2. Turn on the power of the receiver; install the batteries in the transmitter and turn on the power;
3. Perform frequency matching between the transmitter and the receiver (refer to the "Frequency Matching" section);
4. Observe the window of the receiver, the RF signal is full, speak into the microphone, the AF signal bar changes, indicating that the wireless microphone is working properly;
5. Turn on the power of other devices, adjust the volume, and you can start enjoying the happiness brought by this product!
6. Pay attention to the order of turning on and off
 Power on: receiver - audio source (karaoke machine, etc.) - pre-stage - amplifier, before turning on for the first time, please adjust the volume to the minimum;
 Power off: amplifier - pre-stage - audio source - receiver.
7. If there are possible malfunctions, please refer to "Troubleshooting" for inspection. If the problem cannot be solved, please contact our company's customer service.

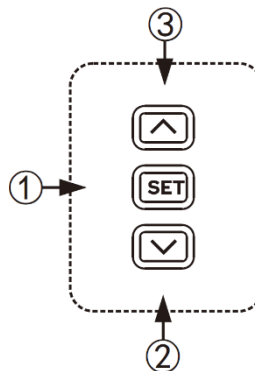
6. Device Adjustment

This system uses an infrared automatic frequency matching device, which can quickly and accurately match frequencies.

This manual only draws the buttons of one channel. The operations of the two channels are basically the same. Special instructions will be given if there are differences.

Button functions:

- ① Frequency setting / exit
- ② Button lock / down (only the left channel has a button lock)
- ③ Frequency matching / up



Button lock or unlock (it is recommended to lock the buttons after the receiver is set to prevent others from operating incorrectly)

In the unlocked state: short press the " " button without response, long press for about 4 seconds, the display screen " " symbol changes to " ", at this time all buttons of the receiver are locked.

In the locked state: long press the " " button for about 4 seconds, the display screen " " symbol changes to " ", at this time all buttons of the receiver are unlocked.

Frequency adjustment setting

In the state where the button is not locked, short press the "SET/ TUNE" button, the frequency number on the display screen flashes, at this time press the " " button to increase the channel, press the " " button to decrease the channel. After the adjustment is completed, short press the "SET/ TUNE" button or do not operate the button for 5 seconds, both will exit the channel setting state and save the set channel.