



you can hear the difference
High performance speakers from Swans



H10 Sub
Active Subwoofer Speaker

HiVi Inc. (USA)
Swans speaker systems, Inc.
11630 Goldring Road, Arcadia, CA 91006
Tel: +1-626-930-0606 Fax: +1-626-930-0609

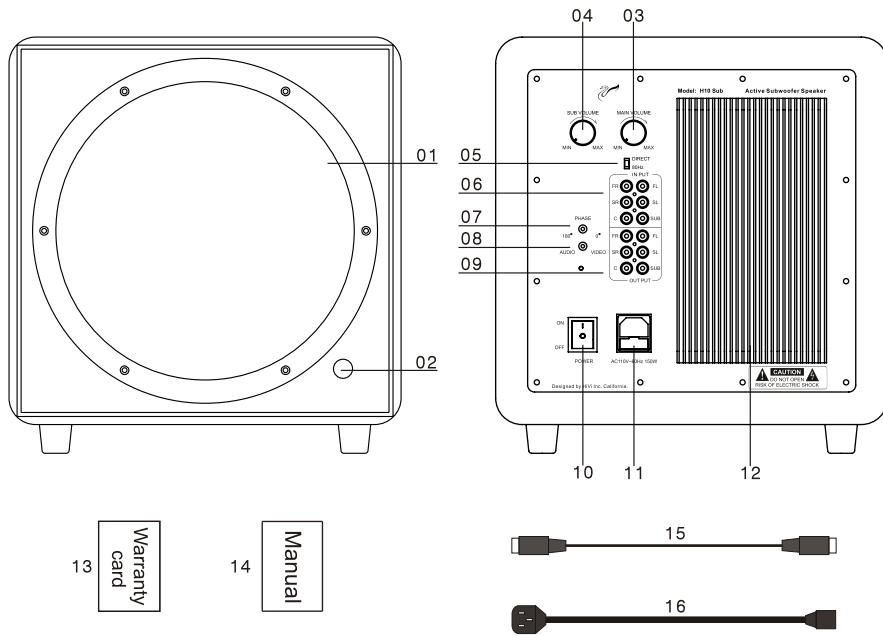
HiVi Inc. (China)
Guangzhou Hi-Vi Electrical Appliances Co., Ltd
No.13, Sansha Industrial Zone, Dongchong Town,
Panyu District, Guangzhou, China
Tel: +86-20-3490 1885 Fax: +86-20-3490 1863

www.hivi.com

I. Unpacking

This speaker adopts fine packing material to protect it from damage during shipping. In the box, you should find: subwoofer speaker, power cable, connection cables, manual, warranty card, and certificate.

II. Speaker functions and parts:



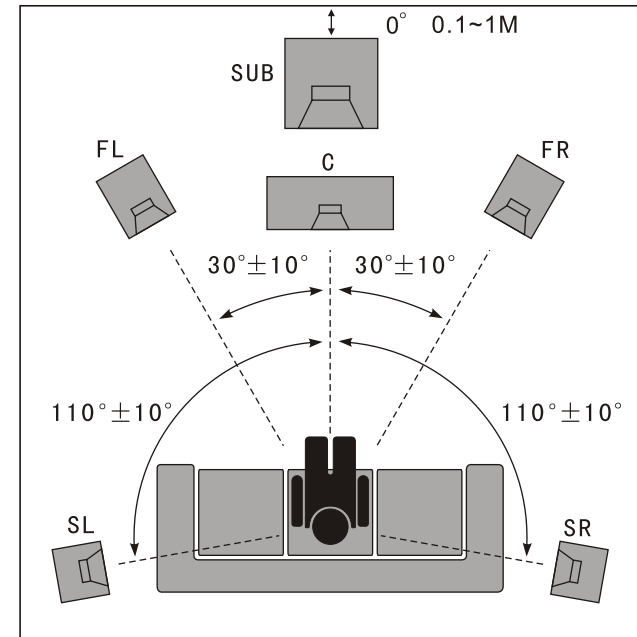
- 1.Subwoofer
- 2.Remote control receive window
- 3.Main Volume
- 4.Sub Volume
- 5.Direct Switch
- 6.Audio Input
- 7.Phase Switch
- 8.AUDIO/VIDEO Switch

- 9.Audio Output
- 10.Power Switch
- 11.Power Socket
- 12.Heat Sink
- 13.Warranty Card
- 14.User's Manual
- 15.Connection cable
- 16.Power cable

III. Speaker placement and environment

1. Speaker placement

H10 Sub can match with home theater speaker systems (AV system) or high end stereo speaker systems. Using the subwoofer, it is recommended to place it at the front left or right corner about 0.1-1m away from the corner. Adjust the angle and distance of the subwoofer until optimal sound accuracy and imaging is achieved. Put the speaker away from TV set, watch, cell phone, IC card, etc. to avoid magnetic disturbance.



2. Listening environment

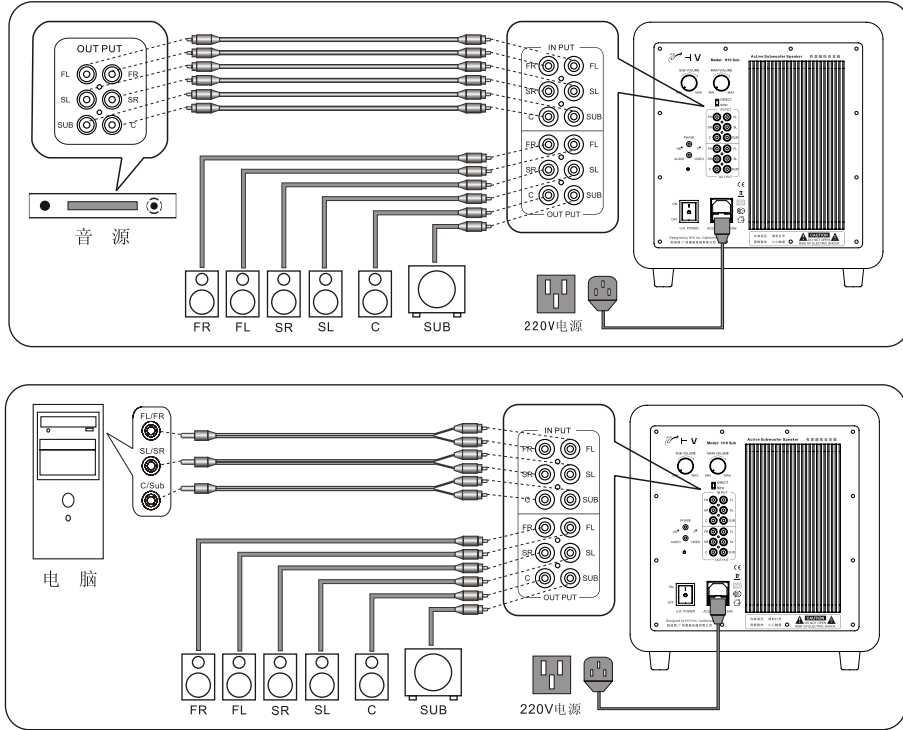
In order to get best sound, not only do we recommend using high quality components to match the speakers, but also a good listening environment. The placement and the size of the listening area will influence the sound quality.

A few simple suggestions to optimize your listening environment:

- a. Carpet the floor to avoid the sound reflection
- b. Decorate the wall with cloth or other sound absorbing materials to improve sound quality.
- c. Use thick curtain to avoid the sound reflection by glass windows.

IV. Speaker connections

H10 Sub has a built-in amplifier in the subwoofer. In the back of the subwoofer, there is a power socket, AUDIO IN, AUDIO OUT, DIRECT Switch, Phase Switch, AUDIO / VIDEO Switch. Detailed as below:



1. Connect the subwoofer with multi-channel (5.1) sound source
Insert the end of the speaker cables into the OUTPUT sockets of the multi-channel sound source and the INPUT of the subwoofer.

2. Connecting with computer
Insert the 3.5mm plug end of the audio cables into the OUTPUT sockets of the computer; insert the other end RCA plug into the INPUT of the subwoofer.

3. Connect the subwoofer with other sound source, like CD player, tuner, etc.
Insert the end of the speaker cable into the Left/Right output of the sound source and the input of the subwoofer.

4. Plug in the subwoofer to the AC outlet
Notice: please make sure the connection is firm to avoid influencing sound quality.

5. Check all steps above to make sure all connections are all right.

V. Listening

First turn on the sound source (DVD, CD, etc.), then turn on the subwoofer after setting the volume control to minimum(0).

Turn up the subwoofer volume clockwise until optimal sound is achieved.

AUDIO / VIDEO switch. Generally AUDIO for CD Player, while VIDEO for DVD Player.

PHASE Switch: Phase switch can be used to get consistent sound phase between subwoofer and front speaker, so that optimal replayer effect can be achieved. You can switch Phase between 0° to 180° , generally can be set at 0° , or make sure the Phase Switch position by actual listening: first turn down the sub volume, play a familiar program, then turn up the sub volume gradually. Please see if the woofer is enhanced. If enhanced then the Phase switch position is all right, or need to switch the PHASE to another position.

DIRECT /80Hz Switch: When the switch is on direct, input and output signal is on direct; when switch to 80Hz, signal output after frequency division via frequency processor.

VI. Break-in

Break-in refers to the aging period for the speakers to where they perform best acoustically. Upon purchase the speakers are not broken-in. A period ranging from 48-100 hours of usage is recommended before both the amplifier and speaker drivers behave optimally.

VII. Maintenance

The H10 Sub is a hi-end multimedia speaker which can be operated under normal conditions without requiring any maintenance. Avoid using any corrosive liquids or gasses on the surface of the speakers and drivers. Do not place in high temperatures, high humidity, or areas with dramatic changes in temperature or humidity. Do not place in direct sunlight for extended periods of time. To clean, use a soft, dry cloth to remove dust. Use a mild detergent with a damp cloth to remove dirt.



Avoid magnets



Do not place in direct sunlight for extended periods of time



Do not place in high heat or humidity for extended periods of time



Do not touch the drivers with hands



Avoid corrosive liquids and gasses

VIII. Trouble shooting

1. Problems with sound quality

- a. Please check if the audio cable or amplifier connection cable is oxidized or loose?
- b. Please check if the power plug is not securely connected?
- c. Please check and make sure all drivers have sound or not? Is there any problem with the speaker?
- d. Please check if the PHASE switch or sub cut-off control is not set correctly?

2. No sound at all

- a. Check if the power cable is connected well? Is the power on or off?
- b. Is the audio signal cable from the source sound short-circuited?
- c. Check if the fuses are burnt out? (change the fuse of the same model and specifications fuses conformed with security certificate, please let qualified professional person to replace the fuses for you.

3. Can't use the remote control

- a. check if the self contained battery is exhausted?
- B. Adjust the angle between the remote control and the receive window.

IX. Warranty

If the problems still exist, please contact the local dealer to handle.